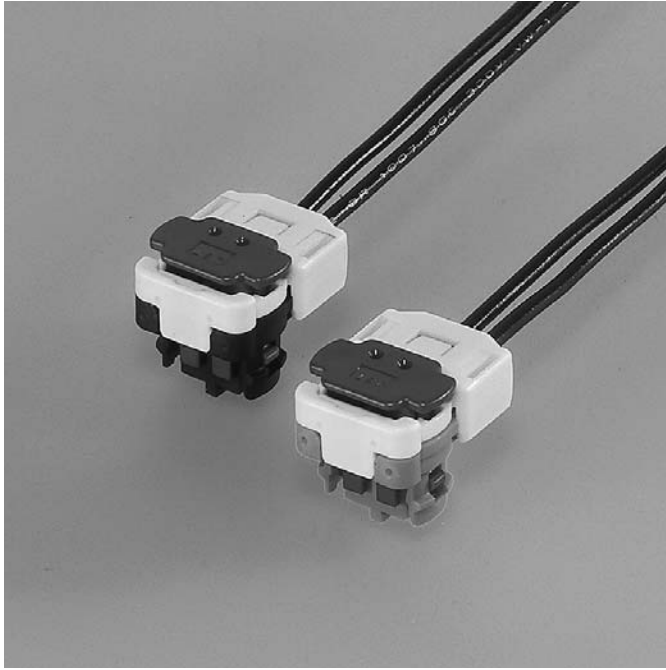
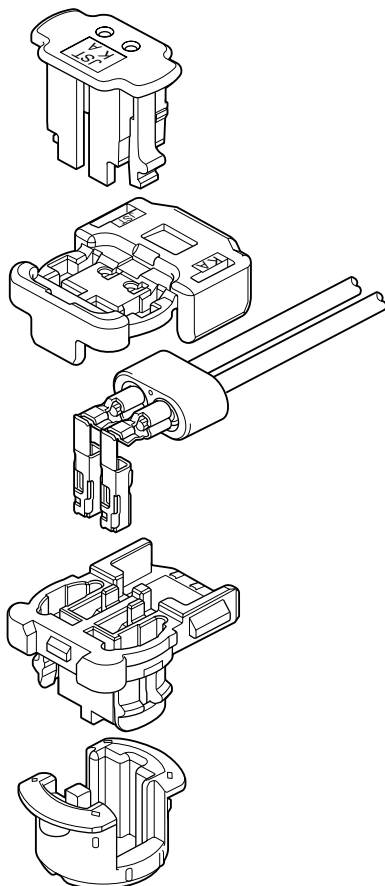


SQSII CONNECTOR

Squib connectors



This connector for air-bag, conforming to USCAR standard, has intelligent CPA, which allows locking the connector, incomplete mating detection and release of short-circuit at the same time.



Features

● Compact design

This connector is approximately 13 mm smaller than the SQS connector in total length. This connector can fit in the outer diameter 25 mm or less of an inflator.

● Mating

Intelligent CPA adopted. It enables the connector to be locked securely and prevents incomplete mating on the assembly line resulting in improved connector retention force.

● Terminal construction

The contact part is placed forward compared to the conventional female terminal so that the effective contact length extends.

● Scooping (kajiri) preventive construction

Using a shunt ring with a countermeasure for scooping (kajiri), the resistance to scooping (kajiri) insertion and withdrawal is improved.

● Noise suppression

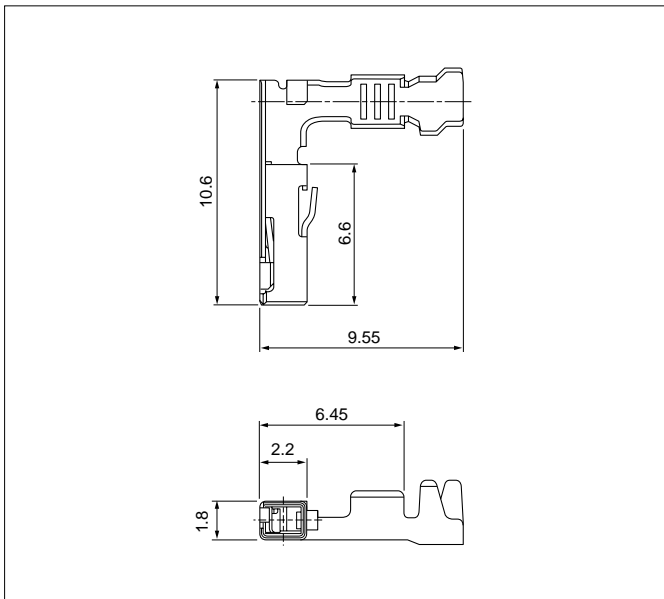
Ferrite core provides simple and reliable noise suppression characteristics.

Specifications

- Temperature range: -30°C to $+80^{\circ}\text{C}$
(including temperature rise in applying electrical current)
- Insulation resistance: 100 M Ω min.
- Applicable wire: 0.3 mm² to 0.5 mm²
0.8 mm²

- * Compliant with ELV/RoHS.
- * Contact JST for details.

Female terminal

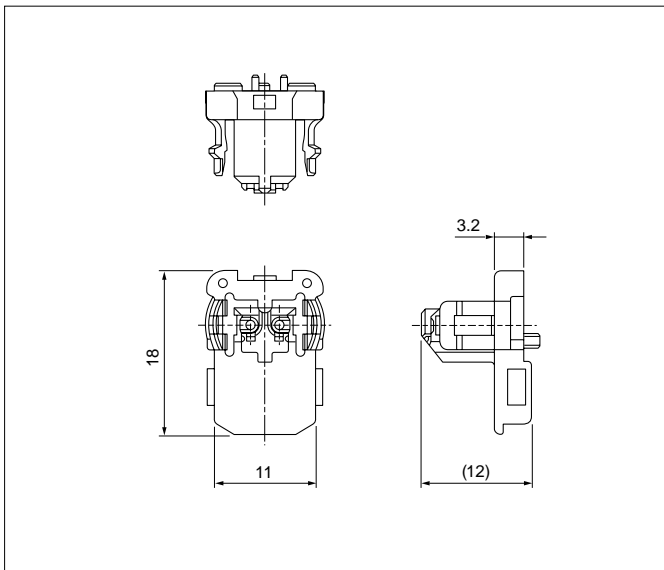


Model No.	Applicable wire range		Q'ty/reel
	Conductor (mm ²)	Insulation O.D. (mm)	
SSQS2-A03GI-P-P	0.3 to 0.5	1.0 to 1.8	6,500
SSQS2-A04GI-P-P	0.8	2.03	5,000

Material and Finish

Copper alloy, nickel-undercoated,
Contact area; gold-plated (0.8 μm min.)

Female housing

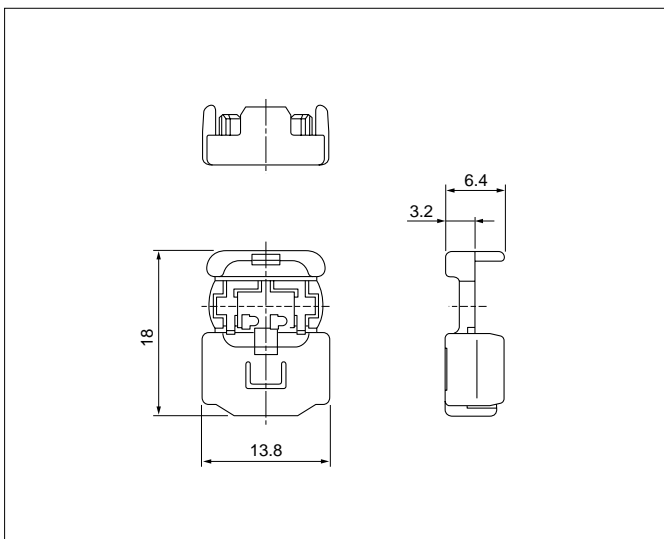


Circuits	Model No.	Q'ty/bag	Color
2	SQS2R-02H-2A-K	1,000	Black
	SQS2R-02H-2C-D	1,000	Orange

Material and Finish

PBT

Cover housing



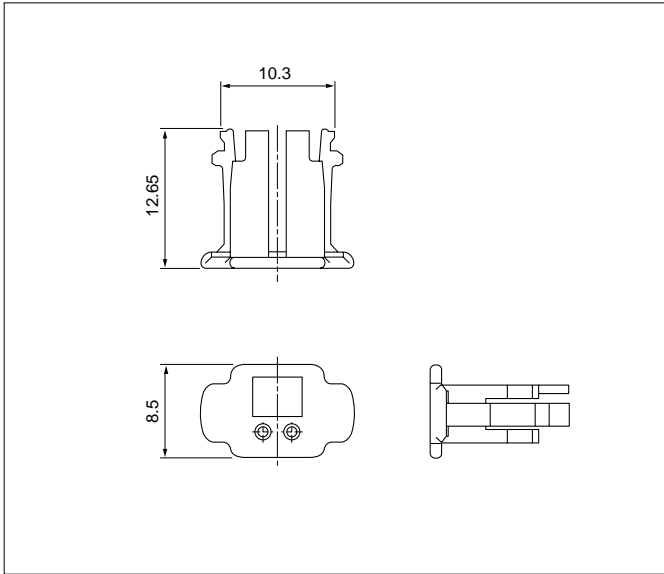
Circuits	Model No.	Q'ty/bag	Color
2	SQS2L-02H-1A-Y	1,000	Yellow

Material and Finish

PBT

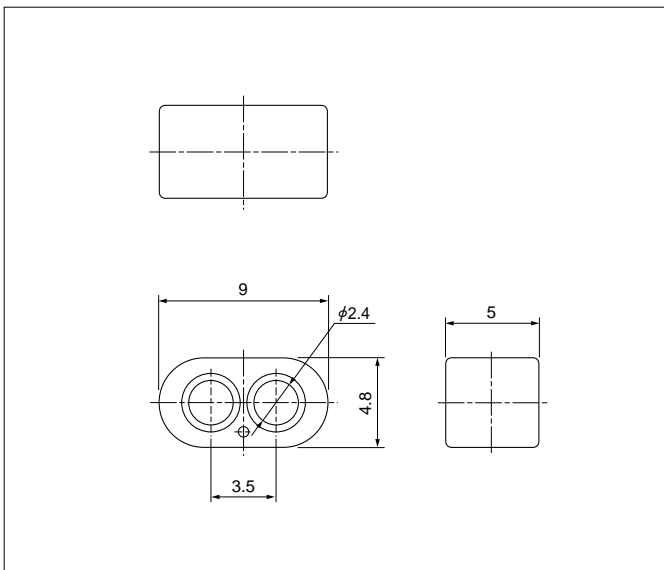
SQS II CONNECTOR

CPA housing



Circuits	Model No.	Q'ty/bag	Color
2	SQS2C-02H-1A-R	2,000	Red
Material and Finish			
Glass-filled PBT			

Ferrite



Circuits	Model No.	Q'ty/box
2	SQS2F-02-1T	3,000

Crimping machine, Applicator

Strip terminal	Crimping machine	Crimp applicator MKS-L	
		Dies	Crimp applicator with dies
SSQS2-A03GI-P-P	AP-K2N	MK/SSQS2-A03-P	APLMK SSQS2-A03-P
SSQS2-A04GI-P-P			APLMK SSQS2-A04-P

Note: When crimping operation is conducted using an applicator and die set other than the above, JST cannot guarantee the performance of the terminal.