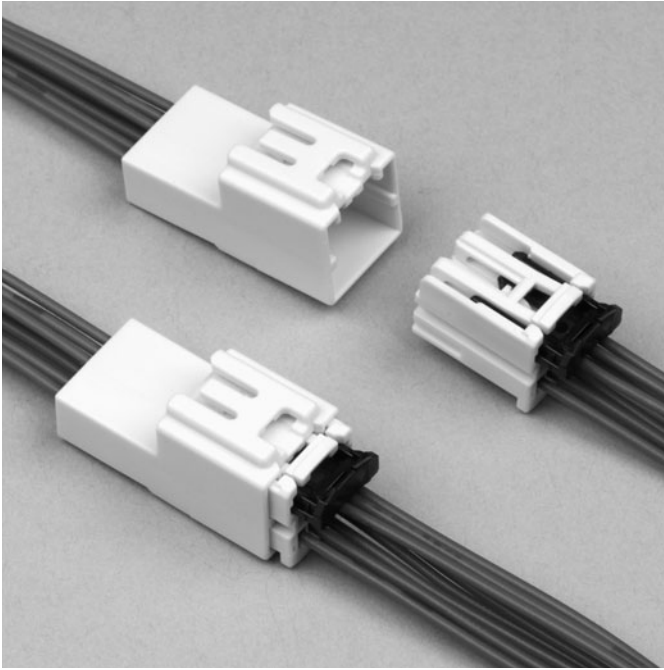
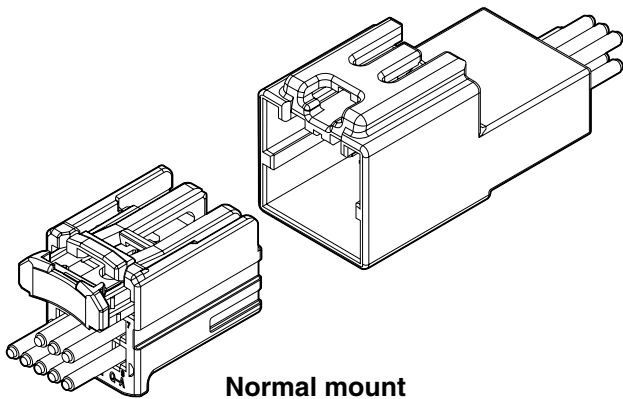


# HIC CONNECTOR

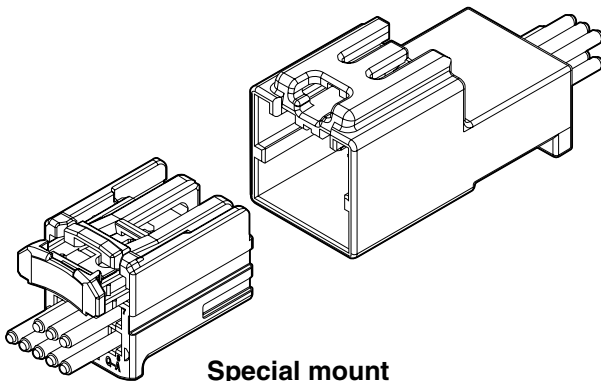
## Wire-to-wire



This wire-to-wire connector for air-bag has CPA, which allows locking the connector, incomplete mating detection and release of short-circuit at the same time.



Normal mount



Special mount

### Features

● **4 types are available, it enables to select with various specifications to automobile.**

- Normal mount, with short terminal
- Normal mount, without short terminal
- Special mount, with short terminal
- Special mount, without short terminal

● **Incomplete mating detection mechanism**

Mis-insertion and insertion error at the assembly line can detect with a CPA housing.

● **Terminal construction**

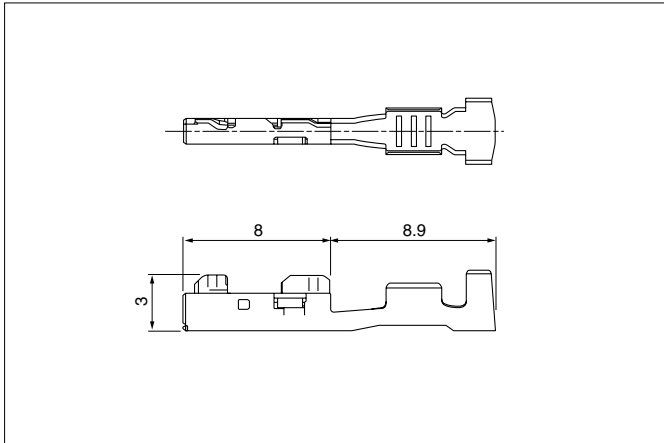
It is designed to prevent the deformation of the contact part when processing wire harness by protecting the contact part of each terminal with a box.

### Specifications

- Current rating: 5A AC, DC (0.5mm<sup>2</sup>, Single circuit)
- Voltage rating: 14V AC, DC
- Temperature range: -40°C to +100°C  
(including temperature rise in applying electrical current)
- Contact resistance:
  - Female terminal; Initial value/8mΩ max.  
After environmental testing/16mΩ max.
  - Short terminal; Initial value/50mΩ max.  
After environmental testing/100mΩ max.
- Insulation resistance: 100MΩ min.
- Withstanding voltage: 1,000V AC/minute
- Applicable wire: AVSS  
0.3mm<sup>2</sup> to 0.5mm<sup>2</sup>

- \* Compliant with ELV/RoHS.
- \* Contact JST for details.

## Female terminal

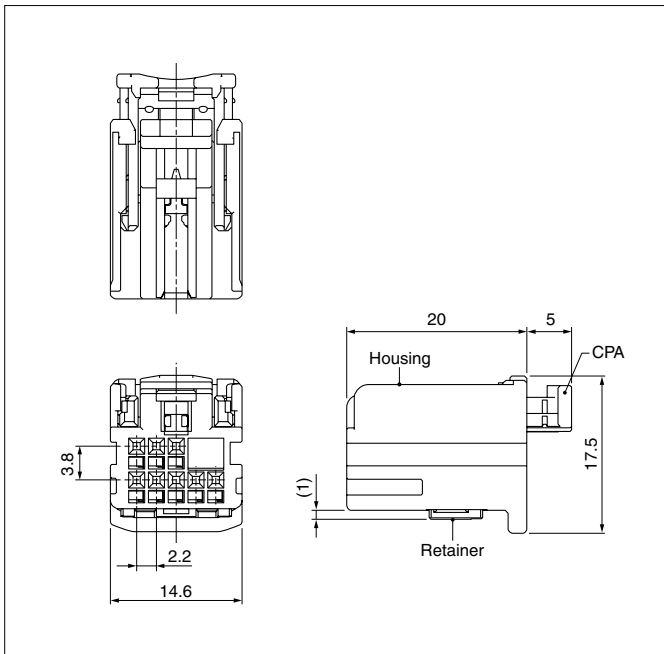


Model No.	Applicable wire range		Q'ty/reel
	Conductor (mm <sup>2</sup> )	Insulation O.D. (mm)	
<b>SNAC3-A021GF-M0.64-1</b>	0.3 to 0.5	1.4 to 1.8	5,000

### Material and Finish

Copper alloy, nickel-undercoated, Male contact area: gold-plated

## Female connector

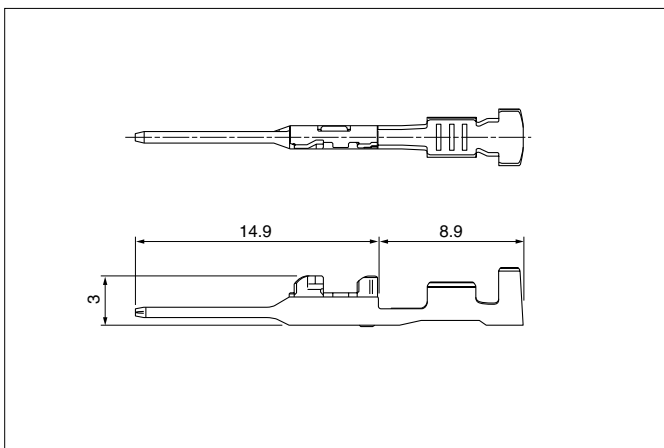


Circuits	Model No.	Q'ty/box
8	<b>08HIC-R-1A</b>	720

### Material

Housing: PBT, yellow  
Retainer: PBT, black  
CPA housing: PBT, black

## Male terminal



Model No.	Applicable wire range		Q'ty/reel
	Conductor (mm <sup>2</sup> )	Insulation O.D. (mm)	
<b>SNAC3W-A021GF-0.64</b>	0.3 to 0.5	1.4 to 1.8	7,000

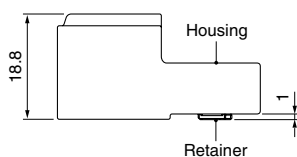
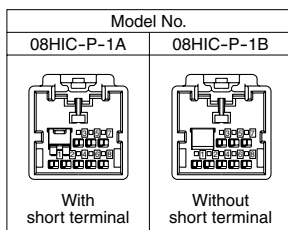
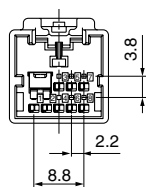
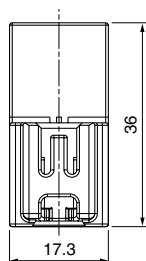
### Material and Finish

Brass, nickel-undercoated, Female contact area; gold-plated,  
Short terminal contact area; gold-plated

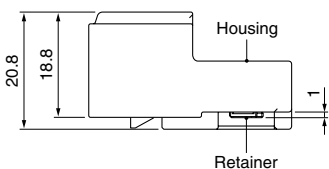
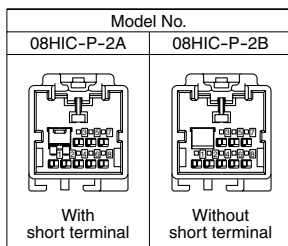
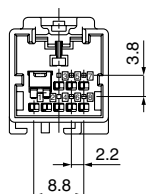
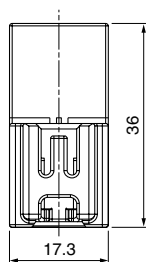
# HIC CONNECTOR

## Male connector

### • Normal mount



### • Special mount



Circuits	Model No.	Q'ty/box
8	08HIC-P-1A	560
	08HIC-P-1B	
	08HIC-P-2A	
	08HIC-P-2B	
Material and Finish		
Housing: PBT, yellow		
Retainer: PBT, black		
Short terminal: Copper alloy, nickel-undercoated, Contact area; gold-plated		

## Crimping machine, Applicator

Strip terminal	Crimping machine	Crimp applicator MKS-L	
		Dies	Crimp applicator with dies
SNAC3-A021GF-M0.64-1	AP-K2N	MK/SNAC3-A021-064	APLMK SNAC3-A021-064
SNAC3W-A021GF-0.64		MK/SNAC3W-A021-064	APLMK SNAC3W-A021-064

Note: When crimping operation is conducted using an applicator and die set other than the above, JST cannot guarantee the performance of the terminal.